



ATTENTION
 OBSERVE PRECAUTIONS
 FOR HANDLING
 ELECTROSTATIC
 DISCHARGE
 SENSITIVE
 DEVICES

BN-LLG-3528WD216G18W-V

Warm White



Features

Size: 350*180*12mm (216 LEDs)

Net weight: 765g

LED package: 3528

Printed circuit board thickness: 0.2mm

PCB material: FPC

Light diffuser: PMMA 2mm

Input voltage: 85~265V AC

Working voltage: 36V DC.

Working current: 320 mA

Power factor: 0.95 ± 0.05 (With power)

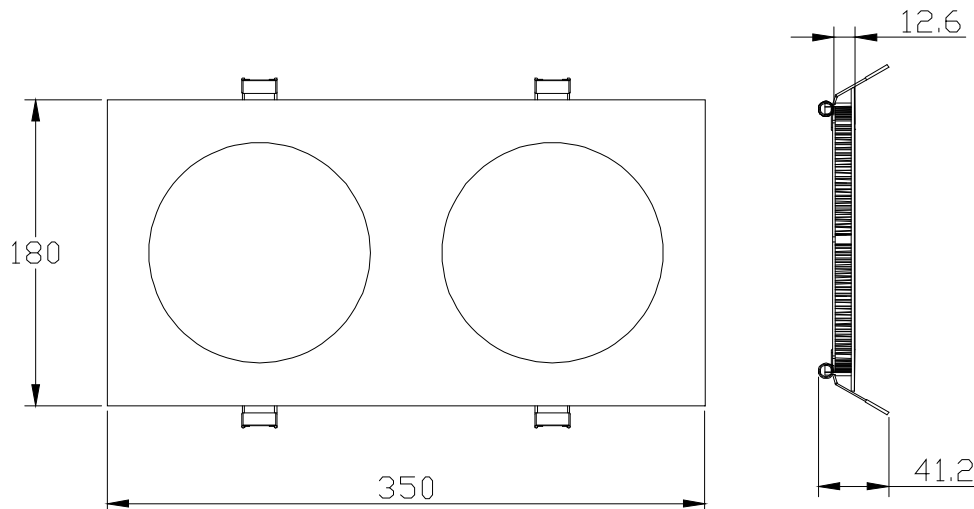
LED view angle ($\theta_{1/2}$): 120° .

Cold-rolled plate as the bottom with aluminum + PMMA cover

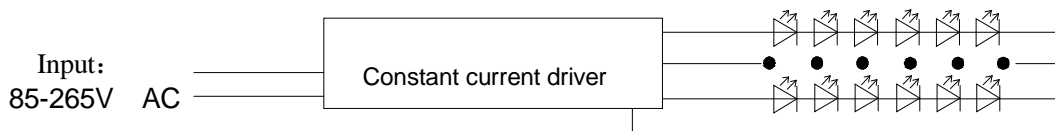
Power supply can be replaced separately, Energy-saving, high brightness, long lifespan, environmental protection, safe, free of mercury and other harmful material

Easy for installation

Dimension (Unit:mm)



Circuit diagram



Absolute maximum rating at TA=25°C

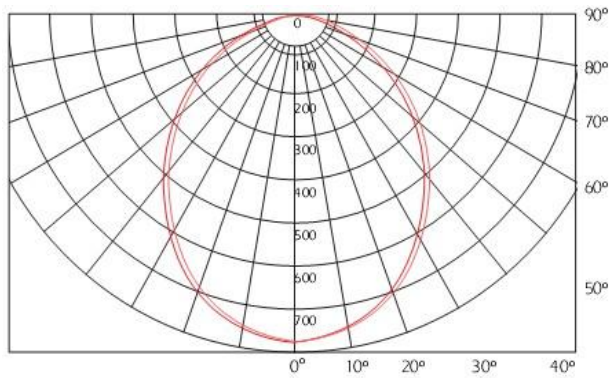
Input voltage(AC)	85~265	V
Working current	320	mA
Working voltage(DC)	36	V
Power	12.	W
Luminous flux	650±50	Lm
Color temperature	2700-3200	K
Dimensions	350*180*12	mm
Working temperature	- 30 ~ 50	°C
Storage humidity	10 % ~ 90 %	RH

Illumination table

Height	1m	2m	2.5m	3m
LUX	293	82	54	41

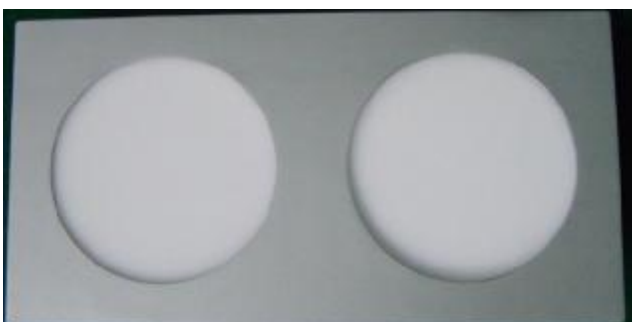
The above parameters are for reference only, are subject to change without further notice.

Photometric curve



Installation

Mosaic



Connection with power supply

Then 85V-265V AC



Package



1 pcs



1pcs / carton

Note: please contact with our company for lamp maintenance, or consult professional lighting engineer.